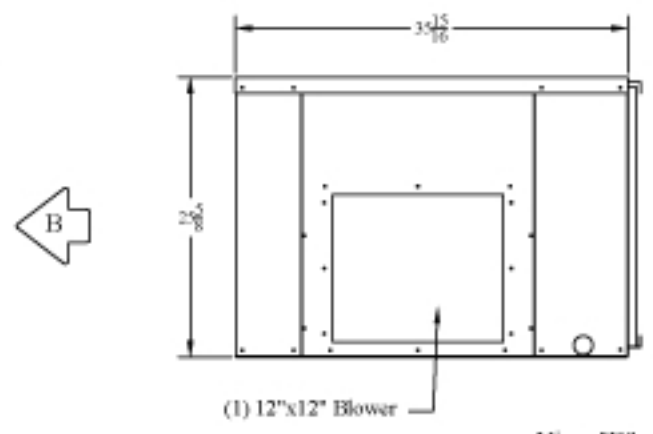
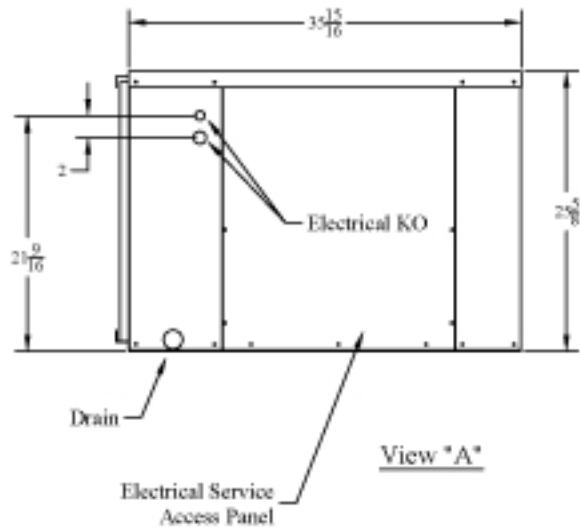


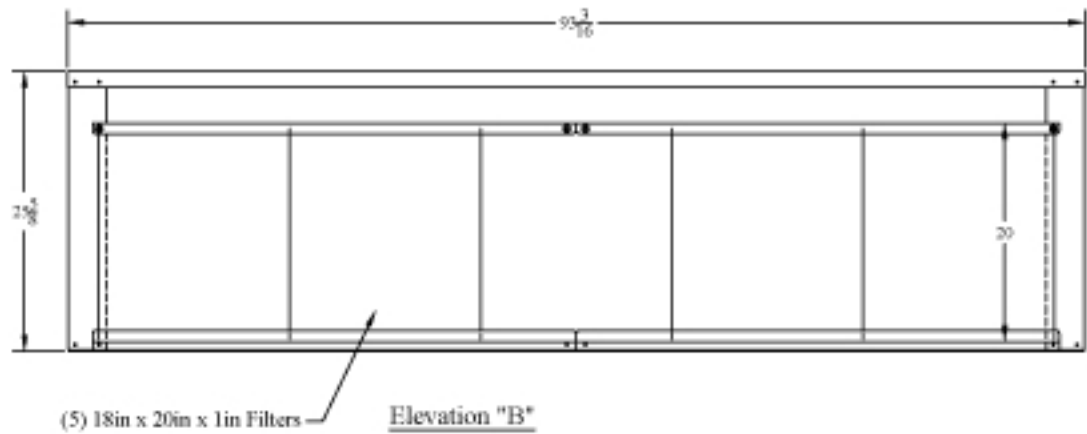
Elevation "A"



View "B"



View "A"



Elevation "B"

"NOTE"  
Mirrored Image Available.

15T Horizontal  
General Arrangement rev2  
**15" X 15" BLOWER**

Cold Flow/Dual Air Inc.  
1050 NW 21st Street  
Miami Florida 33127  
Ph: (305) 545-6666  
Fax: (305) 325-1966

REV1:	
DATE:	02-04-16
SCALE:	None
BY:	Allen Diehl

020416.1