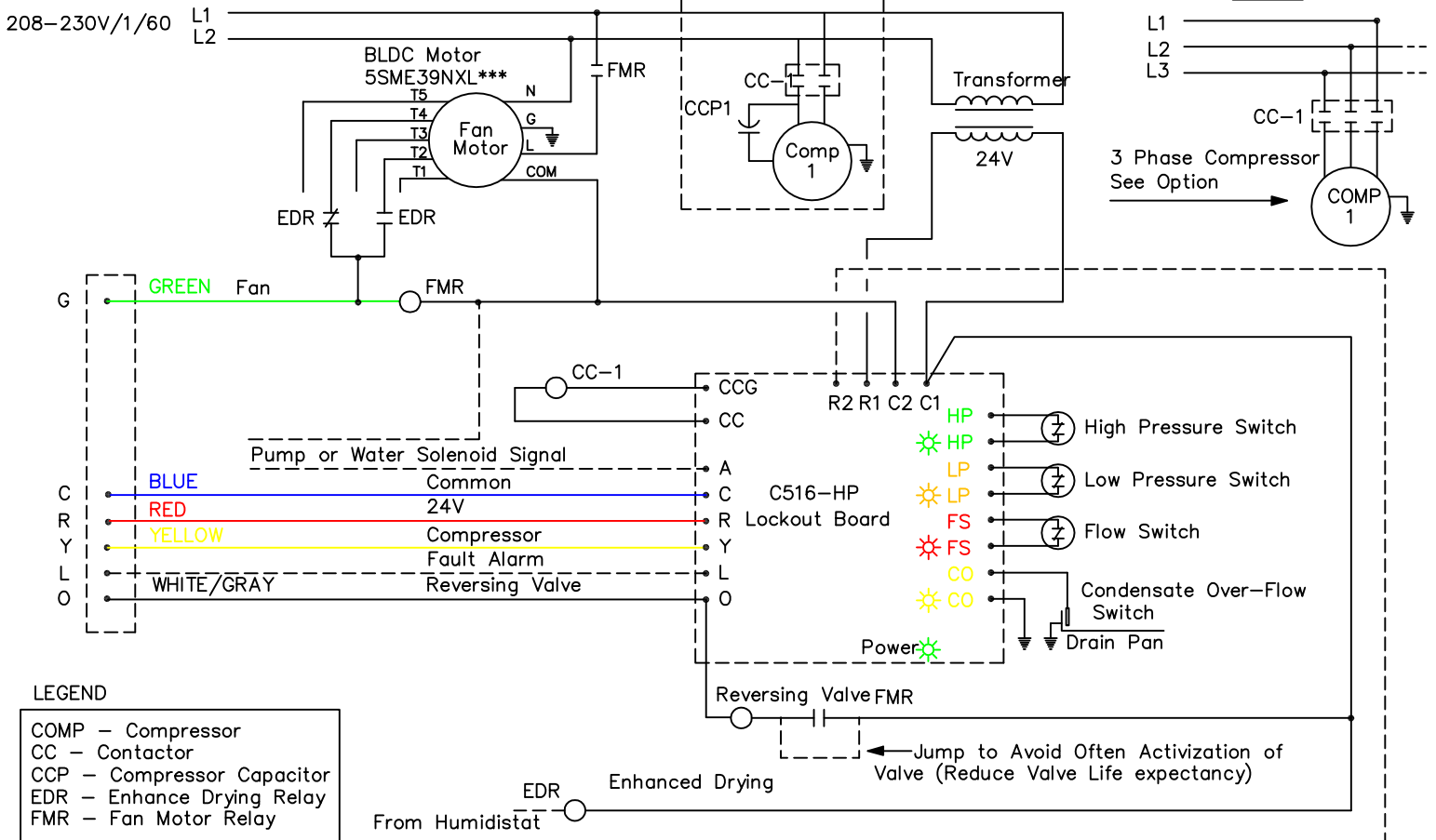


CFX SERIES WIRING DIAGRAM

1 COMP 1 CIRCUIT - SINGLE PHASE

Type E



CFX SERIES WIRING DIAGRAM

1 COMP 1 CIRCUIT - SINGLE PHASE

Type E

