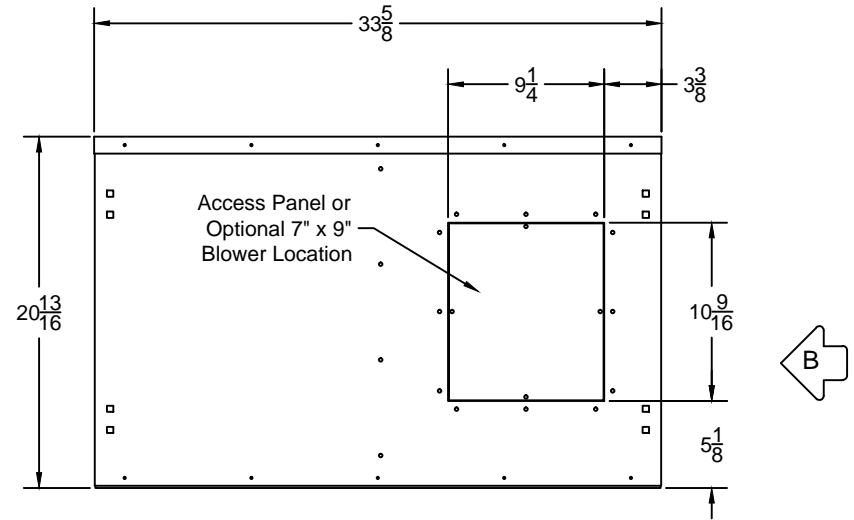
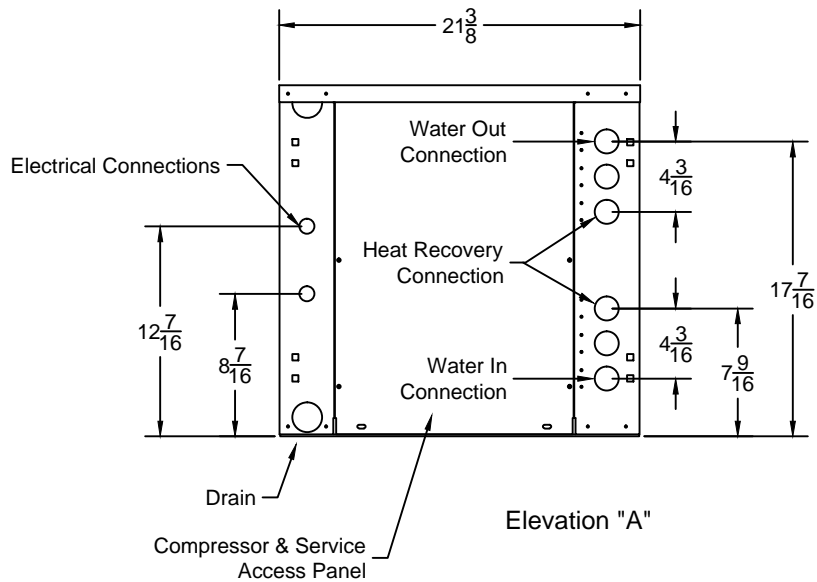
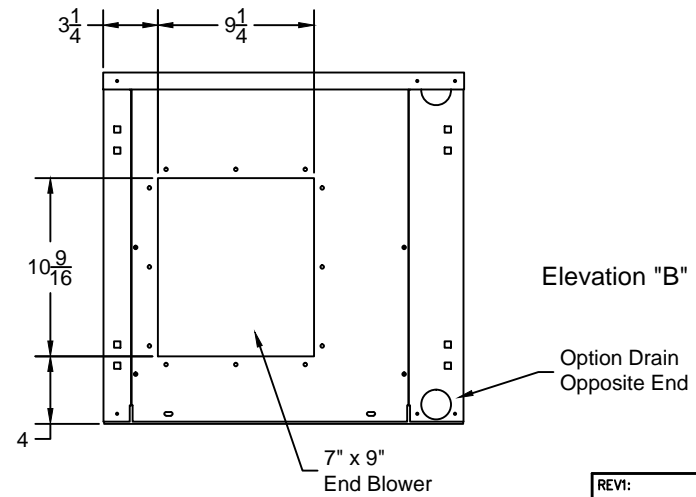


Back Elevation



Front Elevation



1- 2.5 Ton Horizontal

Cold Flow/Dual Air Inc.  
 1050 NW 21th Street  
 Miami Florida 22127  
 Ph; (305) 545-6666  
 Fax; (305) 325-1966

REVI:	
DATE:	03-17-15
SCALE:	None
BY:	Allen Diehl

031715