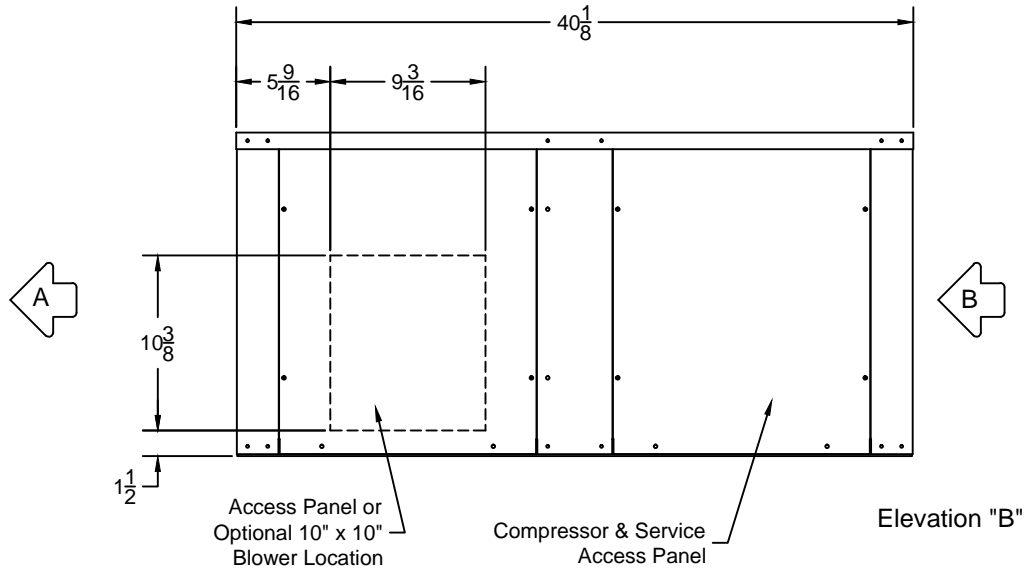
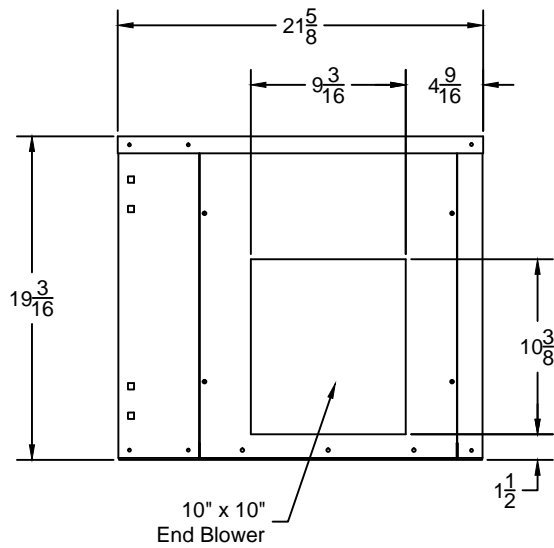


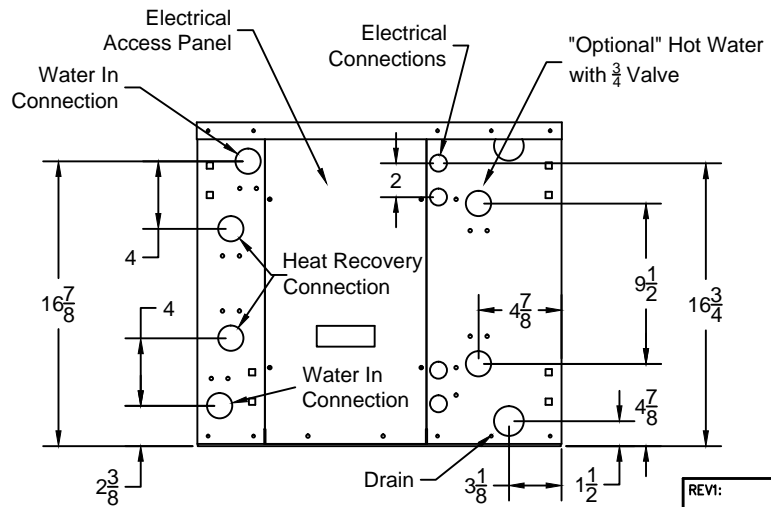
Elevation "A"



Elevation "B"



View "A"



View "B"

"Note"
Mirror Image Available.
All Options Subject to
Additional Charges.

1.5-2.5T Horizontal with Options General Arrangement	REVI:
	DATE: 03-18-15
	SCALE: None
Cold Flow/Dual Air Inc. 1050 NW 21th Street Miami Florida 22127 Ph; (305) 545-6666 Fax; (305) 325-1966	BY: Allen Diehl
	031815.1