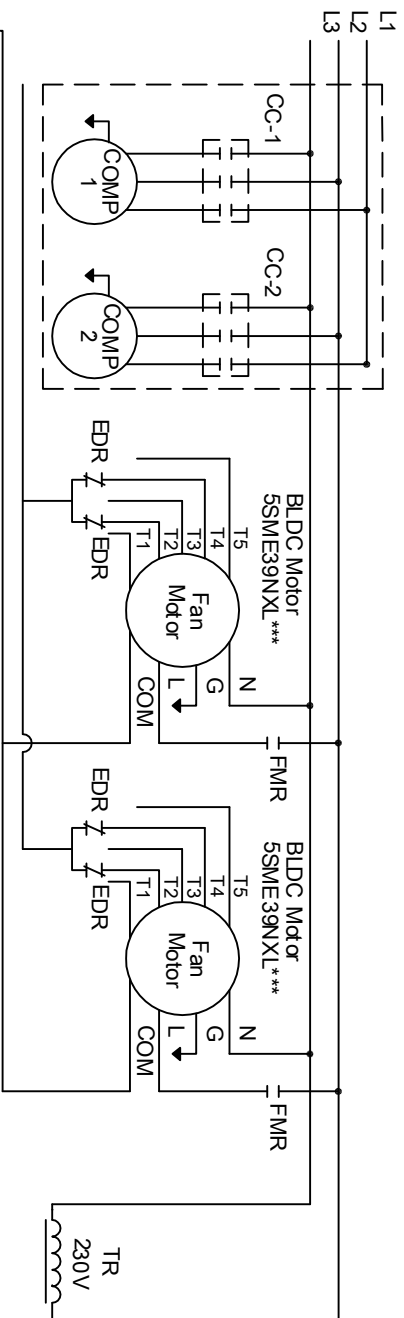
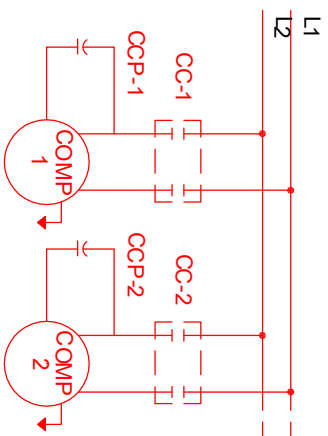


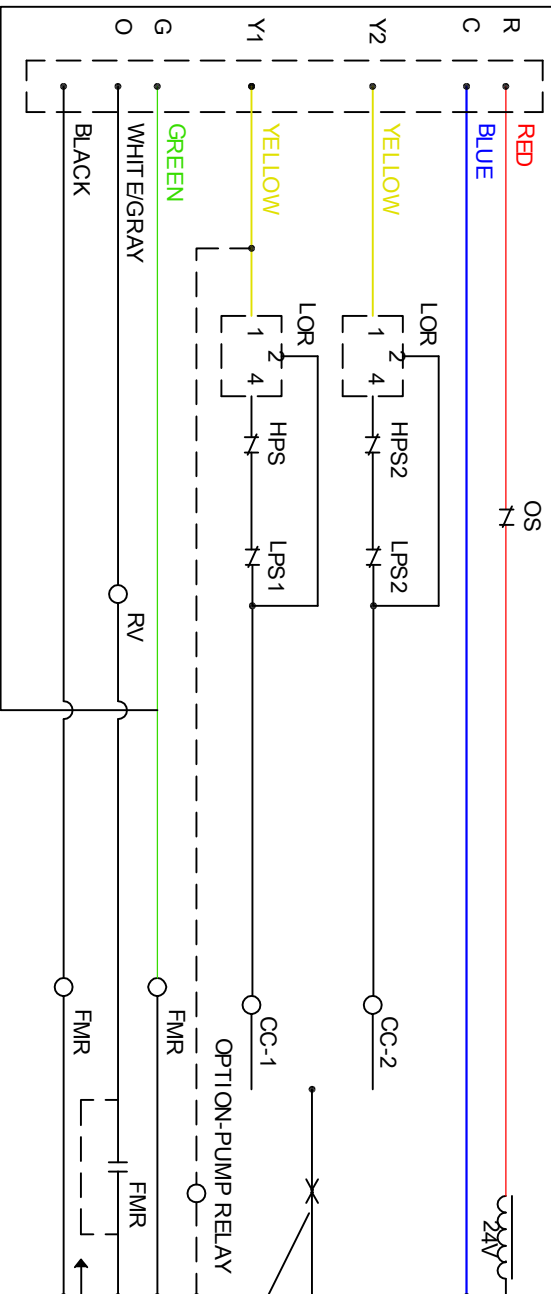
**2 COMP 2 CIRCUITS - THREE PHASE**



**OPTION FOR 1-PHASE UNIT**



- LEGEND**
- COMP - Compressor
  - CC - Contactor
  - CCP - Compressor Capacitor
  - EDR - Enhance Drying Relay
  - FMR - Fan Motor Relay



For Flow Switch Option  
Break Line as Marked and  
Field Install Flow Switch in Series

OPTION TO AVOID OFTEN ACTIVIZATION  
OF REVERSING VALVE  
( reduces valves life expectancy )

**LEGEND**

- |      |                        |     |                              |
|------|------------------------|-----|------------------------------|
| TR   | - TRANSFORMER          | FMC | - FAN MOTOR CAPACITOR        |
| COMP | - COMPRESSOR           | LPS | - LOW PRESSURE SWITCH        |
| CC   | - CONTACTOR            | LOR | - LOCK OUT RELAY             |
| CCP  | - COMPRESSOR CAPACITOR | HPS | - HIGH PRESSURE SWITCH       |
| FM   | - FAN MOTOR            | OS  | - CONDENSATE OVERFLOW SWITCH |
| FMR  | - FAN MOTOR RELAY      | RV  | - REVERSING VALVE            |

**\*\*FAN MOTOR WIRES/SPEEDS**

- BLACK - HIGH SPEED
- BLUE - MEDIUM SPEED
- RED - LOW SPEED

\*\*For Non BDL C Motor & When Applicable

NOTES: Compressor & blower motor internally thermally protected. For line voltage wiring use copper conductors only. All wiring to the unit must comply with local electrical codes.

**DUAL AIR**