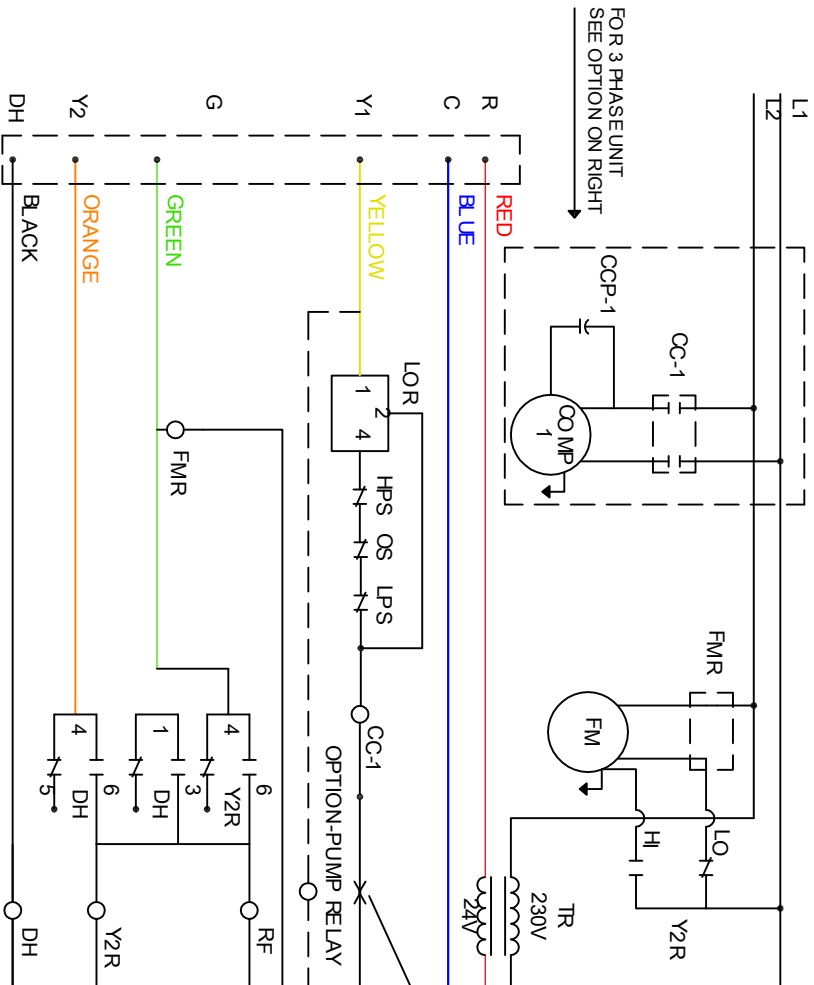


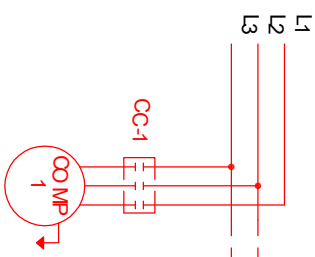
2 SPEED REGULAR MOTOR

1 COMP 1 CIRCUIT - SINGLE PHASE



FOR 3 PHASE UNIT
SEE OPTION ON RIGHT

OPTION FOR 3-PHASE UNIT



For Flow Switch Option
Break Line as Marked and
Field Install Flow Switch in Series

LEGEND

RF	- RECTIFIER	DH	- DEHUMIDIFICATION
TR	- TRANSFORMER	FMC	- FAN MOTOR CAPACITOR
COMP	- COMPRESSOR	LPS	- LOW PRESSURE SWITCH
CC	- CONTACTOR	LOR	- LOCK OUT RELAY
CCP	- COMPRESSOR CAPACITOR	HPS	- HIGH PRESSURE SWITCH
FM	- FAN MOTOR	OS	- CONDENSATE OVER-FLOW SWITCH
FMR	- FAN MOTOR RELAY	Y2R	- Y2 RELAY

NOTES: Compressor & blower motor internally thermally protected. For line voltage wiring use copper conductors only. All wiring to the unit must comply with local electrical codes.

Dual Air Heat Pump | 1050 NW 21st Street, Miami, FL 33127 | Phone: 305-545-6666 | Fax: 305-325-1966 | www.dualairhdp.com

DUAL AIR

**FAN MOTOR WIRE SPEEDS

BLACK - HIGH SPEED
BLUE - MEDIUM SPEED
RED - LOW SPEED

**For Non B.D.C Motor & When Applicable