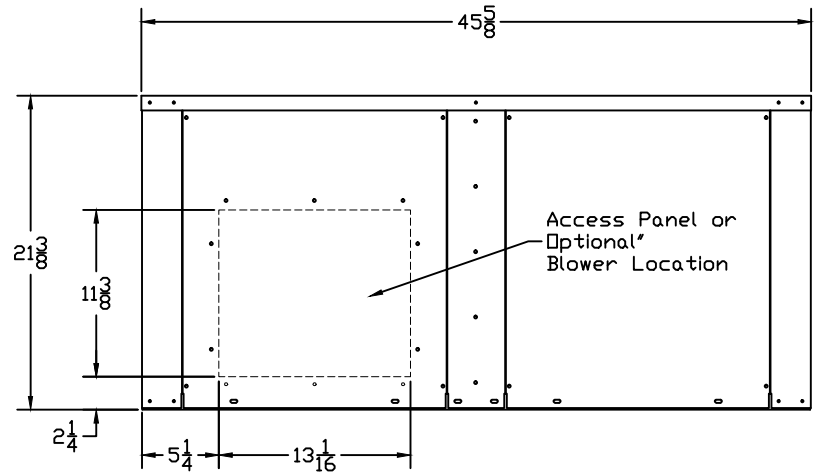
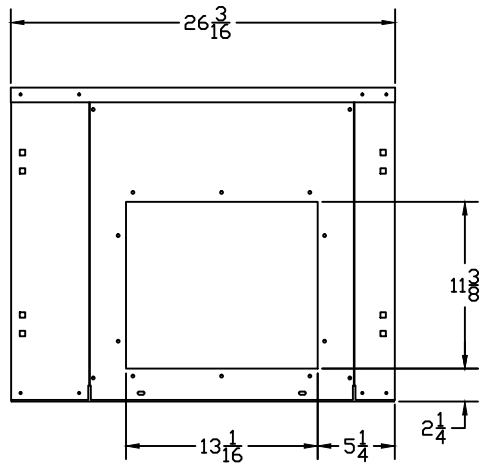


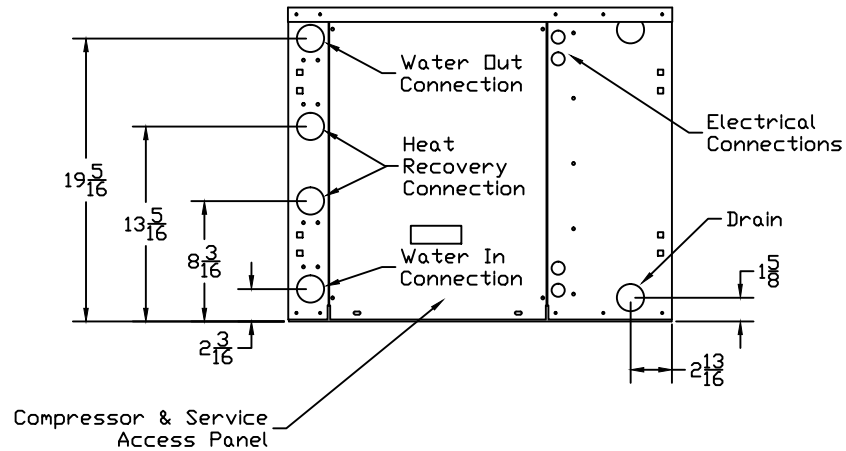
A



B



Elevation "A"



Elevation "B"

4-6 Ton Horizontal	REVI:
	DATE: 05-27-15
	SCALE: None
Cold Flow/Dual Air Inc. 1050 NW 21th Street Miami Florida 22127 Ph; (305) 545-6666 Fax; (305) 325-1966	BY: Allen Diehl
	052715