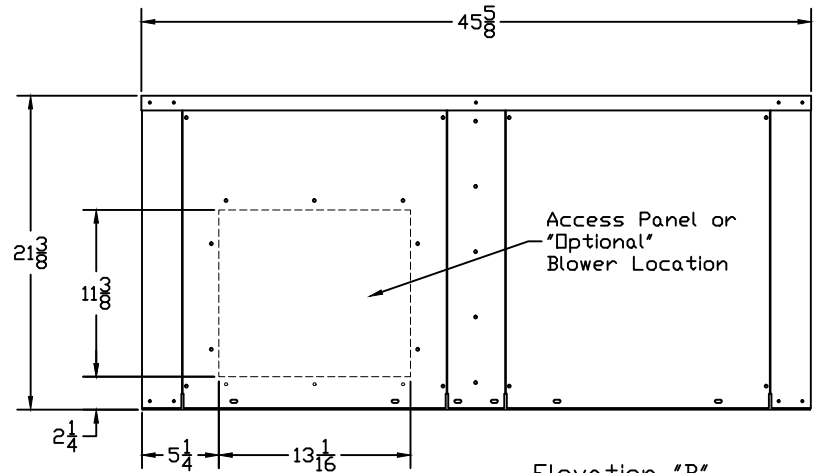
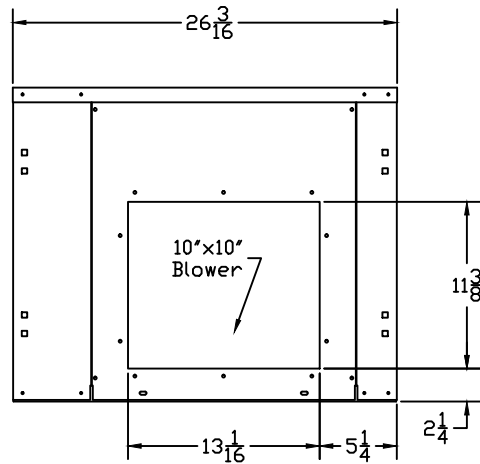


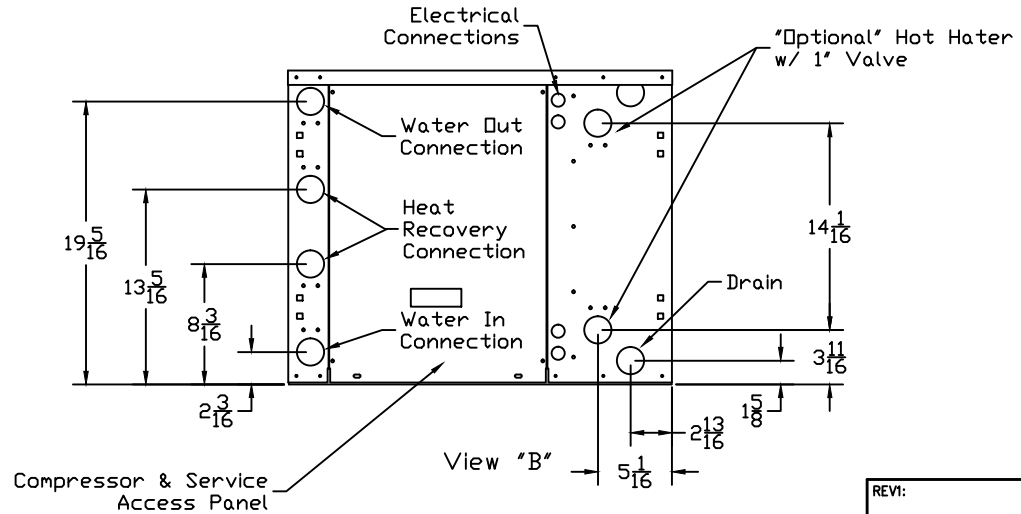
Elevation "A"



Elevation "B"



View "A"



"Note"  
Mirror Image Available.  
All Options Subject to  
Additional Charge.

4-6T Horizontal with Options General Arrangement	REVI:
	DATE: 05-27-15
	SCALE: None
	BY: Allen Diehl
Cold Flow/Dual Air Inc. 1050 NW 21th Street Miami Florida 22127 Ph; (305) 545-6666 Fax; (305) 325-1966	052715.1